

## Flexy Compact Bain-marie, two wells (2GN) H=900mm, overshelf with LED lights

ITEM # \_\_\_\_\_

MODEL # \_\_\_\_\_

NAME # \_\_\_\_\_

SIS # \_\_\_\_\_

AIA # \_\_\_\_\_


**322078 (F02H2AF01W)**

Bain-marie on cupboard, two wells (2 GN container capacity) with overshelf with LED lights and one stainless steel tubular tray slider on customer side, H=900mm

### Short Form Specification

#### Item No.

Compact design, ideal for space saving environments. Stainless steel tubular tray slider on customer side. Unit mounted on 150 mm high feet. Soft closing doors on operator side. Underneath ambient cupboard with doors. L type AISI 304 overshelf equipped with LED lights designed for extra increased visibility on the surface for charming food display. Sleek, minimalist glass structure, food and dust does not get trapped and easy to clean. Flat glass to be used as a service shelf for operator type of service, fully closed glass on customer side. Sturdy body construction with laminated panelings on 4 sides. Designed to serve the food in gastronorm containers with a maximum height of 200mm. Electronic overheating protection. Digital control with temperature display with precise adjustment (0,1°C). Fully compliant HACCP digital controls include visible alarms. Designed to work with both hot and cold water. Etched foil heating elements to maximize heat transmission for reduced warm-up times. Equipped with separated GN 1/1 wells to minimize water and electricity usage allowing to operate only the needed wells. Each well can be switched on/off independently. Wells in 304 AISI stainless steel with rounded corners to facilitate cleaning operations. The wells are also equipped with a drain hole. Wells bottom are inclined to guarantee full well drainage. 19mm thick glass wool isolated with galvanize sheet guarantees excellent well insulation to reduce energy dispersion. Heating elements connected to the well bottom include safety thermostat. Food introduced at the correct temperature maintains its core temperature according to Afnor Standards. 900mm worktop height.

### Main Features

- Electronic overheating protection.
- Designed to serve the food in gastronorm containers.
- Suitable for GN 1/1 containers with a maximum height of 200 mm.
- Precise temperature control and setting at 0,1°C .
- As standard the product comes with digitally controlled thermostat which is in line of HACCP norms and provides visual alarm as a warning of the increasing or decreasing temperatures.
- It is possible to transform one of the GNs to soup dispenser with the available accessory.
- Available drop-in dimensions: 2, 3, 4 GN.
- CB and CE certified by a third party notified body.
- Tray slider in tubular stainless steel is installed on the customer side and it can also be folded down to facilitate passage of the units through doorways.
- Ideal for servery lines with an operator.
- Unit mounted on 150 mm high feet.
- Soft closing doors on operator side.
- Underneath ambient cupboard with doors ideal for extra storage.
- Available options with online configurator: colors, tray sliders, overshelves, feet/wheels with desired diameter, height 750mm for kids.
- Stylish L type overshelf designed for extra increased visibility on the surface for charming food display.
- Overshelf equipped with LED lights.
- Optional plinth can be installed to cover the feet or the wheels.
- Perfect compact design makes it ideal for space saving environments.
- Food introduced at the correct temperature maintains its core temperature according to Afnor Standards.
- Available dimensions: 2, 3, 4 GN.
- Thanks to the sleek, minimalist glass structure, food and dust does not get trapped and the cleaning is made easier.
- Designed to work with both hot and cold water.
- Wells bottom are inclined to guarantee full well drainage.

### Construction

- Heating elements connected to the well bottom include safety thermostat.
- IPx4 water protection.
- Electronic control with temperature display.
- Overshelf in complete AISI 304.
- Top in AISI 304.
- Sturdy construction with laminated panelings on 4 sides.
- Well in 304 AISI stainless steel with rounded corners to facilitate cleaning operations. The well is also equipped with a drain hole.

### Sustainability



APPROVAL: \_\_\_\_\_



**Electrolux**  
PROFESSIONAL

**Flexy Compact  
Bain-marie, two wells (2GN)  
H=900mm, overshelf with LED lights**

- Etched foil heating elements to maximize heat transmission for reduced warm-up times.
- 19mm thick rock wool isolated with galvanize sheet guarantees excellent well insulation to reduce energy dispersion.
- Equipped with separated GN 1/1 wells to minimize water and electricity usage allowing to operate only the needed wells. Each well can be switched on/off independently.



**Flexy Compact  
Bain-marie, two wells (2GN) H=900mm, overshelf with LED lights**  
The company reserves the right to make modifications to the products  
without prior notice. All information correct at time of printing.

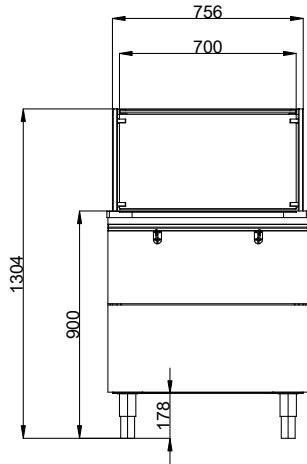
2024.04.09



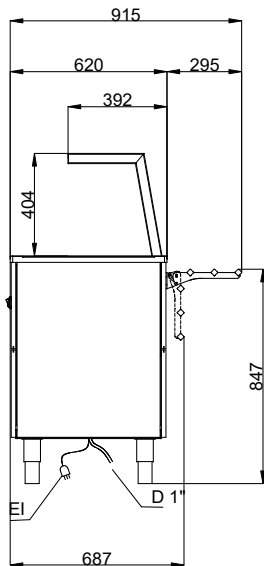
**Electrolux**  
PROFESSIONAL

## Flexy Compact Bain-marie, two wells (2GN) H=900mm, overshelf with LED lights

Front

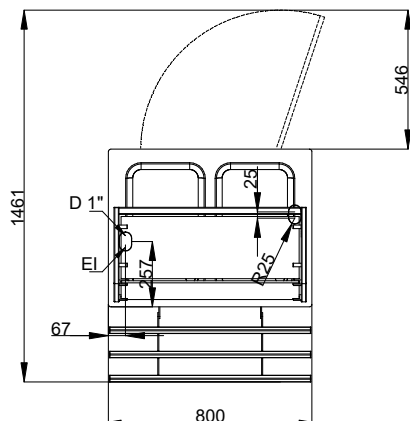


Side



D = Drain  
EI = Electrical inlet (power)

Top



### Electric

Supply voltage:

322078 (F02H2AF01W) 220-240 V/1N ph/50/60 Hz

Electrical power max.:

2.04 kW

### Water:

Drain line size:

3/4"

### Key Information:

N° of doors:

1

External dimensions, Width:

800 mm

External dimensions, Depth:

915 mm

External dimensions, Height:

1304 mm

Net weight:

90.5 kg

Shipping height:

1334 mm

Shipping width:

727 mm

Shipping depth:

840 mm

Shipping volume:

0.81 m<sup>3</sup>

Set temperature:

+85 / +95 °C

Height adjustment:

-20/40 mm

### Sustainability

Noise level:

45 dBA



Flexy Compact  
Bain-marie, two wells (2GN) H=900mm, overshelf with LED lights

The company reserves the right to make modifications to the products without prior notice. All information correct at time of printing.

2024.04.09